

OPEN-SECONDARY PROTECTION FOR CURRENT TRANSFORMERS

DESCRIPTION

The LDB-40 is an open-secondary protection device, intended to be used with industry-standard current transformers.

When connected across an open secondary, the device will limit voltage to a safe level of approximately 40V.



5 YEAR WARRANTY



ORDERING INFORMATION

MODEL NUMBER

LDB-40

SPECIFICATIONS

INPUT

Current 1A or 5A from CT secondary
 Frequency Range 50 to 400Hz
 Leakage Current Typical @ 25°C 0.05mA

TEMPERATURE

Operating Range 25°C to 60°C

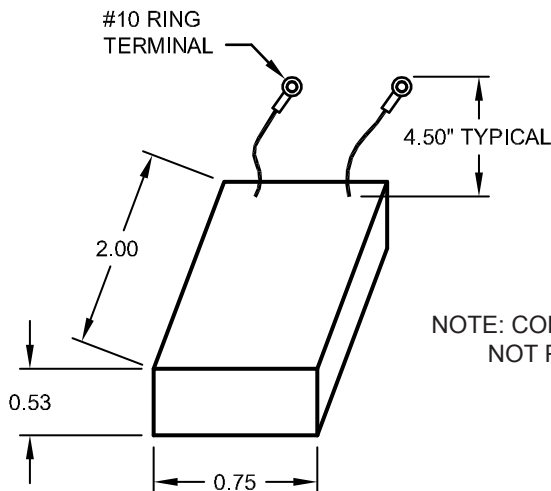
PROTECTION

Breakover Voltage 38Vpk, ±5V
 Clamping Voltage Typical 1V
 Clamping Duration Continuous
 Response 250µs

PHYSICAL

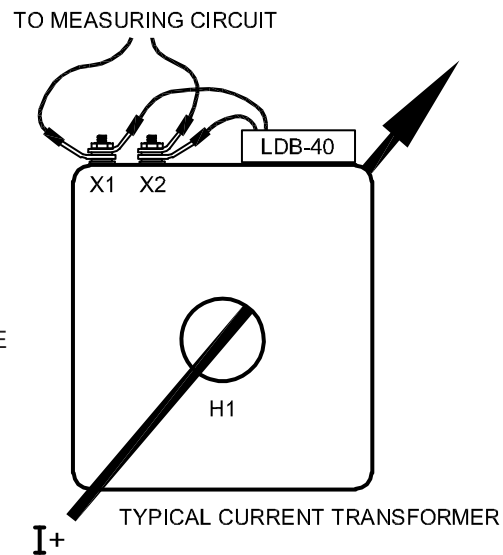
Lead Length 4.5 in. Typical, 16AWG
 Termination #10 Ring Terminals
 Weight Typical 1 oz.

DIMENSIONS AND CONNECTIONS



NOTE: CONNECTIONS ARE NOT POLARIZED.

ALL DIMENSIONS IN INCHES. TOLERANCE IS ±0.03 IN.



Dwg# 0902-00970-B Rev --